



ATOSA USA

"WE MAKE THE KITCHEN BETTER!"

Toll Free: 855-855-0399 Email: info@atosausa.com
www.atosausa.com | www.atosausa.com
 California, Colorado, Florida, Georgia, Illinois,
 Massachusetts, New Jersey, Ohio, Texas, Washington

Compartment Sinks MRSA-1-D

Standard Features

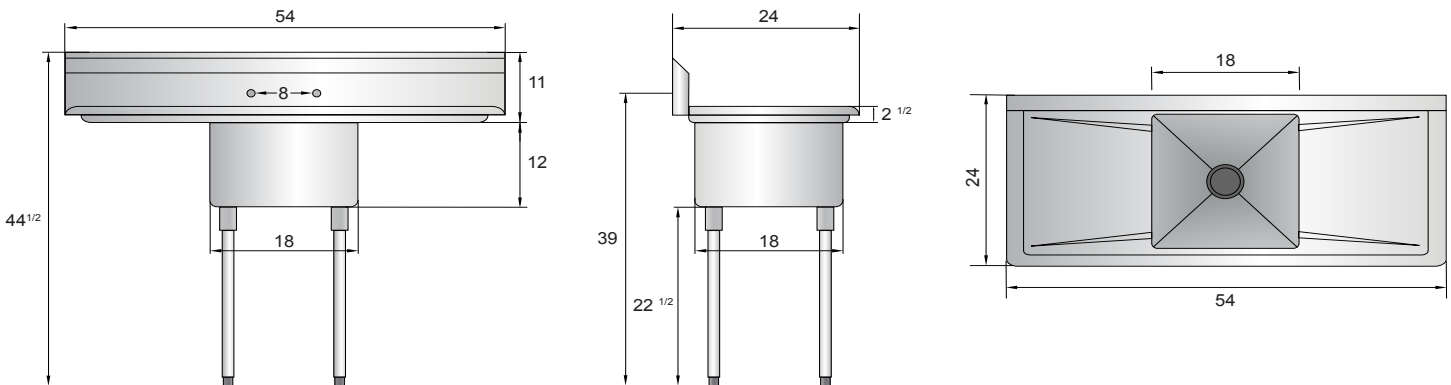
- Entire sink is formed from a single sheet, fused and polished creating a one-piece sanitary unit
- 18" left and right drainboards
- All exposed welds are grounded smooth and polished to blend with adjacent surfaces providing a satin finish
- Large radius on all corners both vertically and horizontally
- Creased and angled drain boards for easy drainage
- Galvanized legs are standard on all models
- Adjustable ABS bullet feet
- Faucets sold separately

MODELS:
MRSA-1-D



Model	Ga.	Bowl Size	Length	Depth	Height	Leg	Net Weight (lbs)
MRSA-1-D	18	18 x 18 x 12	54	24	44 1/2	22 1/2	45

PLAN VIEW



90 DAYS WARRANTY ON WORKMANSHIP

