



ATOSA USA

**“WE MAKE THE KITCHEN BETTER!”**

Toll Free: 855-855-0399 Email: [info@atosausa.com](mailto:info@atosausa.com)  
[www.atosa.com](http://www.atosa.com) | [www.atosausa.com](http://www.atosausa.com)  
 California, Colorado, Florida, Georgia, Illinois,  
 Massachusetts, New Jersey, Ohio, Texas, Washington

# Compartment Sinks MRSA-1-L

MODELS:
MRSA-1-L

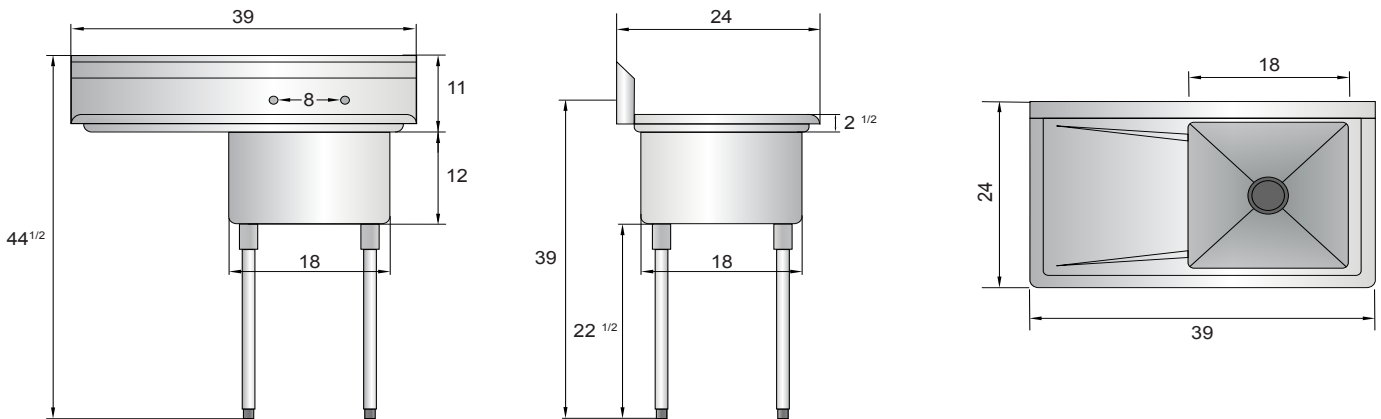
## Standard Features

- Entire sink is formed from a single sheet, fused and polished creating a one-piece sanitary unit
- 18” drainboard on left
- All exposed welds are grounded smooth and polished to blend with adjacent surfaces providing a satin finish
- Large radius on all corners both vertically and horizontally
- Creased and angled drain board for easy drainage
- Galvanized legs are standard on all models
- Adjustable ABS bullet feet
- Faucets sold separately



Model	Ga.	Bowl Size	Length	Depth	Height	Leg	Net Weight (lbs)
MRSA-1-L	18	18 x 18 x 12	39	24	44 1/2	22 1/2	39

## PLAN VIEW



90 DAYS WARRANTY ON WORKMANSHIP

