



ATOSA CATERING EQUIPMENT INC.

“YOUR KITCHEN PAL!”

Toll Free: 855-855-0399 Email: info@atosausa.com
www.atosa.com / www.atosausa.com
California, Colorado, Florida, Georgia, Illinois,
Massachusetts, New Jersey, Ohio, Texas, Washington

PPM-30 Planetary Heavy Duty Floor Mixer

Standard Features

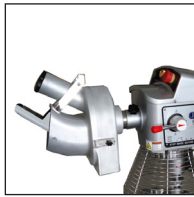
- Three speed gear driven
- 30 minute timer stops the mixer when timer ends
- Safety cut-switch temporarily interrupts power if gears are changed without stopping the mixer
- Number 12 hub accommodates meat grinder or shredder attachments for flexibility between grinding, and mixing
- Interlocked bowl lift and bowl guard opening
- 6 ft. (1.8 m) cord with plug

Standard Accessories

- Stainless steel bowl
- Stainless steel flat beater
- Stainless steel wire whip
- Stainless steel spiral dough hook
- Non-slip rubber feet

Optional Accessories

- Meat grinder for #12 hub
- Slicer/Shredder/Grater for #12 hub



SPECIFICATIONS

Model	Motor HP	Electric	Capacity Liter (qt)	Overall Dimensions				Agitator Speed (I/II/III) RPMs	NW/GW (lbs)
				A	B	C	D		
PPM-30	2	115v60Hz-1P	30L (32q)	23	24	46	15 1/2	91/166/282	374/396



1 YRS WARRANTY ON ALL PARTS AND LABOR (US ONLY)





ATOSA CATERING EQUIPMENT INC.

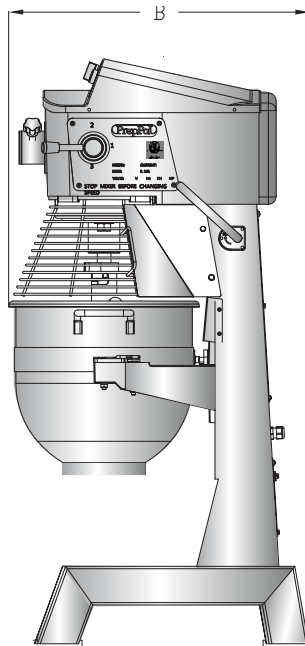
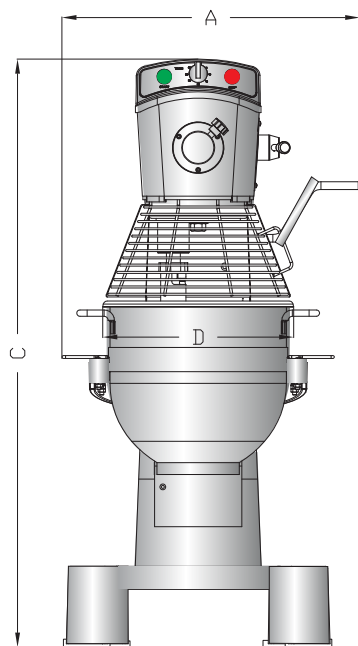
"YOUR KITCHEN PAL!"

Toll Free: 855-855-0399 Email: info@atosausa.com

www.atosa.com / www.atosausa.com

California, Colorado, Florida, Georgia, Illinois, Massachusetts, New Jersey, Ohio, Texas, Washington

PLAN VIEW PPM-30



ACCESSORIES



Terms and Conditions

1 YEAR PARTS & LABOR WARRANTY

All claims for parts or labor must be made directly to Atosa. All claims must include: model number of the unit, serial number, proof of purchase, date of installation, and all pertinent information supporting the alleged defect. Failure to comply with warranty policies will result in voiding claims.

WHAT IS WARRANTED AND FOR HOW LONG:

The Product's agitator, hub, and accessories are warranted not to fail as a result of defects in materials or workmanship in normal use for a period of one year from the date of purchase. Atosa agrees to repair or replace, at its option, the above warranted parts or items that fails due to defects in materials or workmanship during the warranted period. To obtain warranty service, the Purchaser must contact Atosa toll free (855) 855- 0399

Atosa warrants all new components and all parts, to be free from defects in materials or workmanship. Atosa's obligation under this warranty is limited to a period of one (1) year from the date of original installation or 12 months after shipment date from Atosa, whichever occurs first. All parts covered under this warranty that are defective within one (1) years of original installation or twelve (12) months after shipment date from manufacturer, whichever occurs first, are limited to repair or replacement (including labor charges, of defective parts or assemblies). The labor warranty shall include standard straight time labor charges only and reasonable travel time, as determined by Atosa.

What is Not Covered by This Warranty

Changing Gears on the Mixers while Unit is Running and Overloading as Determined by an Approved Certified Technician. Atosa's sole obligation under this warranty is limited to either repair or replacement of parts, subject to the additional limitations below. This warranty neither assumes nor authorizes any person to assume obligations other than those expressly covered by this warranty. Changing Gears on the Mixers while Unit is Running and Overloading as Determined by an Approved Certified Technician. This warranty does not apply to, and Atosa is not responsible for any warranty claims on products sold or used outside of the contiguous United States.

ROUTINE MAINTENANCE REQUIREMENTS MUST BE FOL-

LOWED OR WARRANTY IS VOID NO CONSEQUENTIAL DAMAGES: ATOSA IS NOT RESPONSIBLE FOR ECONOMIC LOSS; PROFIT LOSS; OR SPECIAL, INDIRECT, OR CONSEQUENTIAL DAMAGES, INCLUDING WITHOUT LIMITATION, LOSSES, OR DAMAGES ARISING FROM FOOD OR PRODUCT SPOILAGE.

WARRANTY IS NOT TRANSFERABLE: This warranty is not assignable and applies only in favor of the original purchaser/user to whom delivered. ANY SUCH ASSIGNMENT OR TRANSFER SHALL VOID THE WARRANTIES HEREIN AND SHALL VOID ALL WARRANTIES, EXPRESS OR IMPLIED, INCLUDING ANY WARRANTY OF MERCHANTABILITY OR LABOR COVERAGE FOR COMPONENT FAILURE OR OTHER THE WARRANTY PACKET PROVIDED WITH THE UNIT.

ALTERATION, NEGLIGENCE, ABUSE, MISUSE, ACCIDENT, DAMAGE DURING TRANSIT OR INSTALLATION, FIRE, FOOD, OR ACTS OF GOD: Atosa is not responsible for the repair or replacement of any parts that are determined to have been subjected after the date of manufacture to alteration, neglect, abuse, misuse, accident, damage during transit or installation, fire, flood, or act of God.

IMPROPER ELECTRICAL CONNECTIONS: Atosa IS NOT RESPONSIBLE FOR THE REPAIR OR REPLACEMENT OF FAILED OR DAMAGED COMPONENTS RESULTING FROM ELECTRICAL POWER FAILURE, THE USE OF EXTENSION CORDS, LOW VOLTAGE, OR VOLTAGE DROPS TO THE UNIT.

THE ONE (1) YEAR PARTS & LABOR WARRANTY IS AS DESCRIBED ABOVE. THESE WARRANTIES ARE EXCLUSIVE AND IN LIEU OF ALL OTHER WARRANTIES, INCLUDING IMPLIED WARRANTY AND MERCHANTABILITY OR FITNESS FOR A PARTICULAR PURPOSE. THERE ARE NO WARRANTIES WHICH EXTEND BEYOND THE DESCRIPTION ON THE FACE HEREOF.

Outside U.S. and Canada: This warranty does not apply to areas outside the continent of the United States. Alaska, Hawaii and all US territories are excluded from this warranty. Atosa is not responsible for any warranty claims made on products sold or used in such areas.

In some cases, a 25 % restocking fee may be charged to a buyer for returned items.